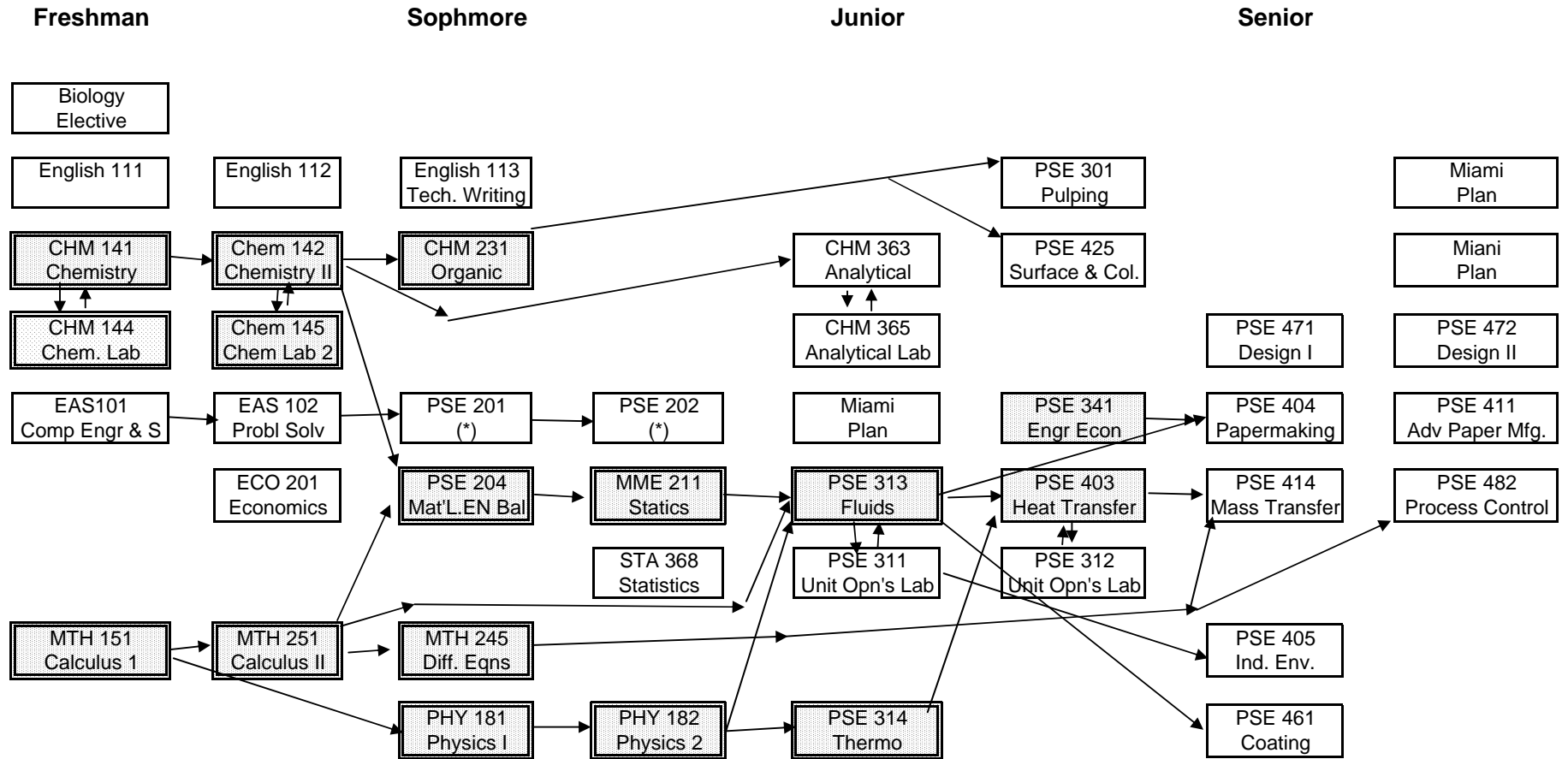


Paper Science and Engineering Flow Chart 2004



Shaded Courses Require A C(-) or better
Before taking the Next Course in a Sequence